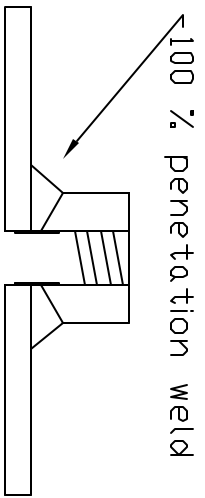
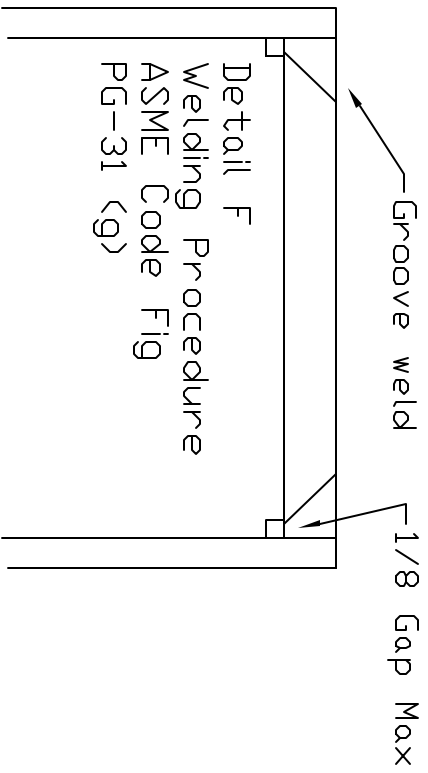


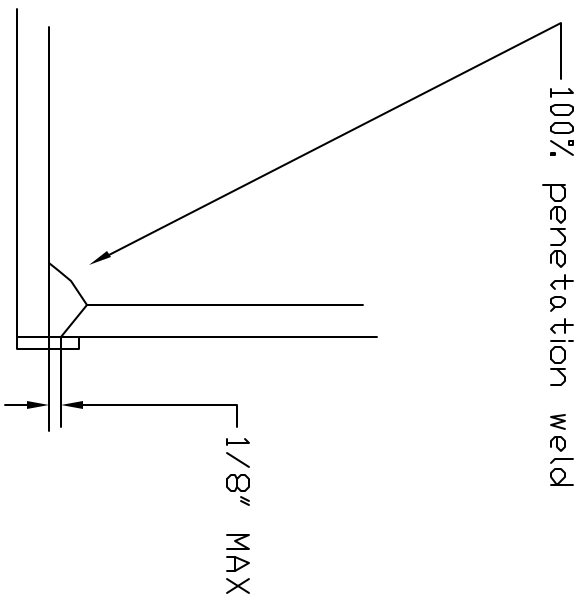
Detail 'J'
Welding procedure
ASME CODE Fig #
PW-16.1



Detail "C"
ASME CODE Fig #
PW-16.1 (a)



Detail F
Welding Procedure
ASME Code Fig
PG-31 (g)



Detail C
welding procedure
ASME Code Fig
PW-16.1 (a)

